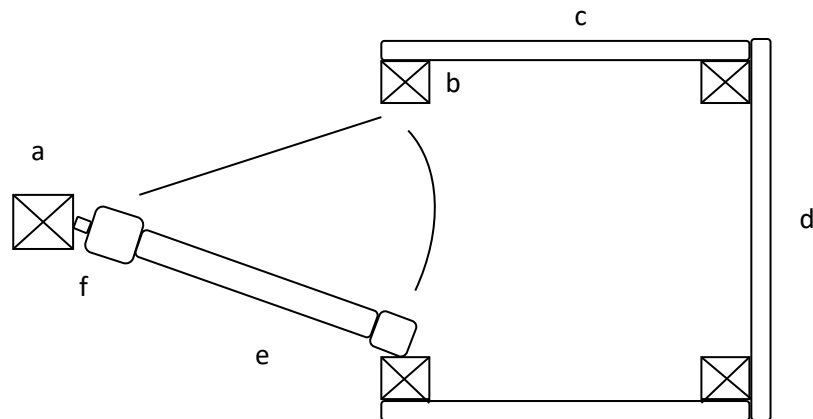


Medbourne Medium Mobility Kissing Gate – installation guide



- a 1no. 2.1m x 150 x 150mm timber hanging post – 4 way weathered top
- b 4no. 2.1m x 100 x 100mm timber corner/kissing posts – 4 way weathered tops
- c 6no. 1.2m x 100 x 50mm timber rails
- d 3no. 1.4m x 100 x 50mm timber rails
- e 1no. 1200mm wide softwood timber gate – treated
- f 1no. 45° self closing hinge set (hooks on plates)

Install the gate post and gate first, then the kissing posts making sure that they act as stops for the gate, complete the enclosure using the remaining posts, trim the rails to fit and nail onto the posts.

side view of timber kissing gate enclosure

